

Large Size - Alloys

SINGLE POINT

When a Switch won't fit in the tank, use a non-intrusive Bottle Type

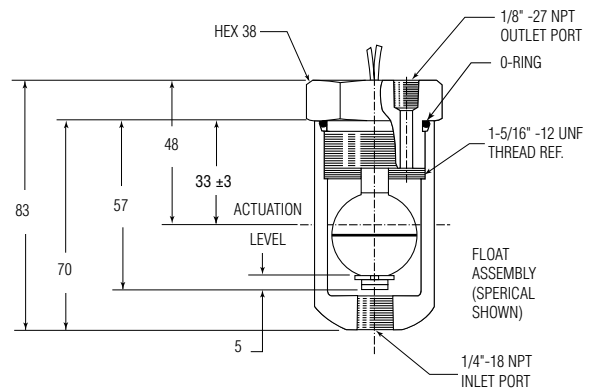
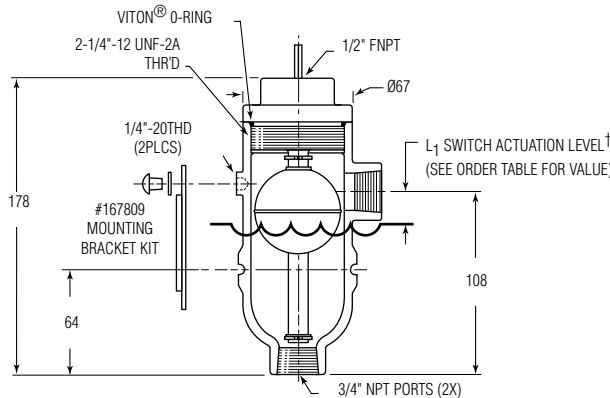
Bottle type level switches are ideal for large or small tanks or where access to the inside is impractical or impossible. These units mount completely outside of the tank, at the level actuation point.



LS-800-5



LS-159000



Specifications

	LS-800-5		LS-159000	
Materials, Housing	Brass	S Steel	Alumium	Alumium
Stem	Brass	S Steel	Brass	Brass
Float	S Steel	S Steel	S Steel	Buna N
Operating pressure	35 bar	50 bar	27 bar	17 bar
Temperature	-40 °C to +150°C	-40 °C to +150°C	-40°C to +150°C	-40°C to 120°C Oil -40°C to 80°C Water
Actuation Level at a density of 1	LI=19mm (mid port)	LI=11mm (mid port)	48mm from top of unit	48mm from top of unit
Min. specific gravity of the liquid	0.75	0.75	0.75	0.50
Type of reed switch	SPST 20 VA	SPST 20 VA	SPST 20 VA	SPST 20 VA
Electrical connection* approx 0.6m	Fly Lead: AWG 18 Polymeric	Fly Lead: AWG 18 Polymeric	Fly Lead: AWG 18 Polymeric	Fly Lead: AWG 18 Polymeric
Mounting thread	3/4" NPT	3/4" NPT	1/4" NPT and 1/8" NPT	1/4" NPT and 1/8" NPT
Protection rating	IP64	IP64	IP64	IP64
Weight approx.	1.65kg		400g	

How to Order

	172625	172635	144080	160405
--	--------	--------	--------	--------

* K6 J.box option for LS-800-5, consult Sales Office
Customer selectable switching NO/NC