

E & EH Series – Subminiature Gas

- ▶ MOPD: 12 Bar (175 PSI)
- ▶ K_v Range: 0.015 to 0.060 (C_v Range: 0.018 to 0.070)
- ▶ 0.65 Watts or 2 Watts

A 2- or 3-way sub-miniature solenoid valve that delivers faster response times—and higher flow rates, the E & EH Series is specifically engineered for air and dry gas applications. A nickel-plated body and coil housing construction produces a highly durable, corrosion resistant valve. With a wattage range of 0.65–2 the E & EH Series provides versatility for power conserving, high pressure, and high flow applications.

Typical Applications

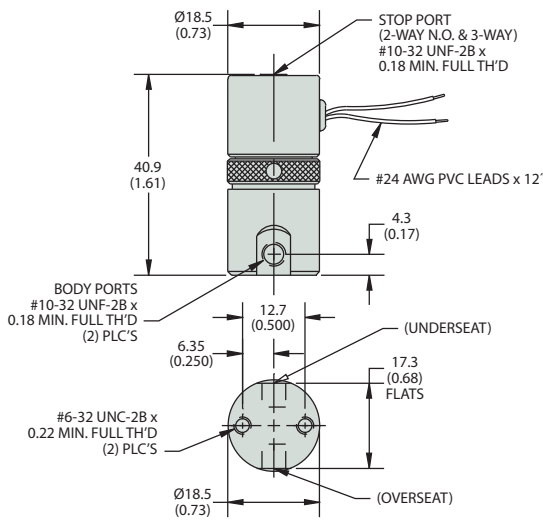
- Medical and Respiratory Healthcare
- Printing Machinery and Sorting Equipment
- Automated Packaging Equipment
- Air Monitoring Systems



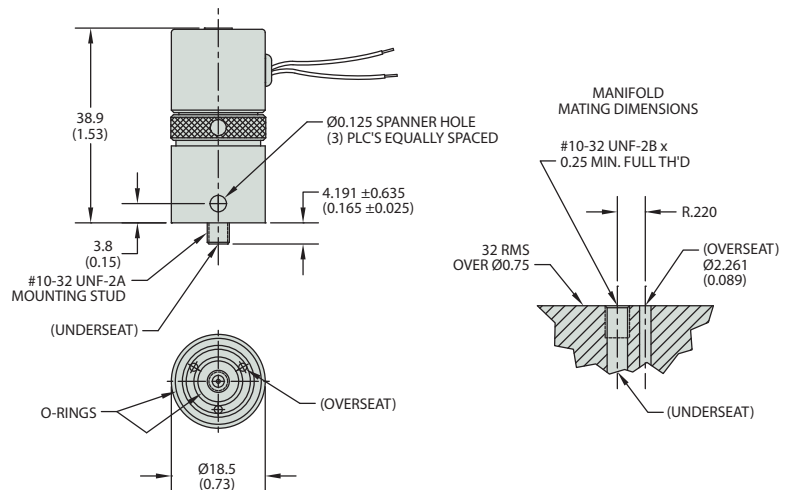
Contact Gems for UL and CSA approved options

Dimensions

Threaded Port Body

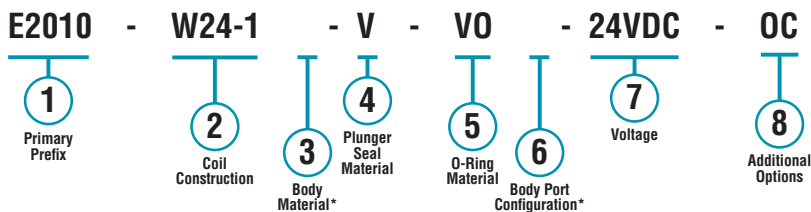


Manifold Mount Body



How To Order

Use the **Bold** characters from the choices listed on the following page to construct a product code.



* Blank entry indicates a "Standard" selection (#10-32 straight thread ports, in this case).

Example:

E2010-W24-1-V-VO-24VDC-OC

E-Series 2-Way N.C. solenoid valve, with 61cm (24") lead-wires from an encapsulated coil, nickel-plated brass body, Viton® plunger seal, Viton® o-ring, #10-32 straight thread ports, operating at 24 VDC, and is cleaned for oxygen use.

Materials

Body	Nickel Plated Brass
Guide Assembly	430F S.S., Delrin®, 430FR S.S.
Plunger	430FR S.S.
Return Spring	302 S.S.
Plunger Seals	Nitrile
O-Rings	Nitrile

Part Prefix Table ①

	Power Rating	Orifice				MOPD		K _v		C _v		① Primary Prefix
		Body		Stop		bar	psig	Body	Stop	Body	Stop	
		mm	inches	mm	inches							
2-WAY N.C.	0.65W	0.79	1/32	—	—	9	125	0.015	—	0.018	—	E2010
		1.19	3/64	—	—	5	70	0.020	—	0.023	—	E2011
		1.59	1/16	—	—	3	40	0.031	—	0.036	—	E2012
		1.98	5/64	—	—	1	20	0.060	—	0.070	—	E2013
	2W	0.79	1/32	—	—	12	175	0.015	—	0.018	—	EH2010
		1.19	3/64	—	—	10	150	0.020	—	0.023	—	EH2011
		1.59	1/16	—	—	7	100	0.031	—	0.036	—	EH2012
		1.98	5/64	—	—	3	50	0.060	—	0.070	—	EH2013
2-WAY N.O.	0.65W	—	—	0.79	1/32	9	125	—	0.015	—	0.018	E2210
		—	—	1.19	3/64	5	70	—	0.020	—	0.023	E2211
		—	—	1.59	1/16	3	40	—	0.027	—	0.032	E2212
	2W	—	—	0.79	1/32	12	175	—	0.015	—	0.018	EH2210
		—	—	1.19	3/64	10	150	—	0.020	—	0.023	EH2211
		—	—	1.59	1/16	7	100	—	0.027	—	0.032	EH2212
3-WAY N.O.	0.65W	0.79	1/32	0.79	1/32	9	125	0.015	0.015	0.018	0.018	E3210
		1.19	3/64	1.19	3/64	5	70	0.020	0.020	0.023	0.023	E3211
		1.59	1/16	1.59	1/16	3	40	0.031	0.027	0.036	0.032	E3212
	2W	0.79	1/32	0.79	1/32	12	175	0.015	0.015	0.018	0.018	EH3210
		1.19	3/64	1.19	3/64	10	150	0.020	0.020	0.023	0.023	EH3211
		1.59	1/16	1.59	1/16	7	100	0.031	0.027	0.036	0.032	EH3212
3-WAY Multi Purpose	0.65W	0.79	1/32	0.79	1/32	6	80	0.015	0.015	0.018	0.018	E3310
		1.19	3/64	1.19	3/64	3	40	0.020	0.020	0.023	0.023	E3311
		1.59	1/16	1.59	1/16	1	20	0.031	0.027	0.036	0.032	E3312
	2W	0.79	1/32	0.79	1/32	10	150	0.015	0.015	0.018	0.018	EH3310
		1.19	3/64	1.19	3/64	7	100	0.020	0.020	0.023	0.023	EH3311
		1.59	1/16	1.59	1/16	3	50	0.031	0.027	0.036	0.032	EH3312
3-WAY Directional Control	0.65W	0.79	1/32	0.79	1/32	9	135	0.015	0.015	0.018	0.018	E3410
		1.19	3/64	1.19	3/64	6	80	0.020	0.020	0.023	0.023	E3411
		1.59	1/16	1.59	1/16	3	45	0.031	0.027	0.036	0.032	E3412
	2W	0.79	1/32	0.79	1/32	13	190	0.015	0.015	0.018	0.018	EH3410
		1.19	3/64	1.19	3/64	11	165	0.020	0.020	0.023	0.023	EH3411
		1.59	1/16	1.59	1/16	6	80	0.031	0.027	0.036	0.032	EH3412

② Coil Construction

- (blank) = Class 130°C (B), tape-wrapped, lead-wires – 30.48cm (12”) long*
- W__ = Lead-wires, non-standard length (specify in centimeters)
- 10 = Externally rectified coil for AC voltages (2 watt and lead-wires only)
- 1 = Class 130°C (B), encapsulated, lead-wires
- 5 = Class 130°C (B), encapsulated, 2.79mm (0.110”) spade terminals

③ Body Material

(blank) = Nickel-plated brass*

④ Plunger Seal Material

- (blank) = Nitrile*
- V = Viton®
- E = EPR
- MQ = Silicone

⑤ O-Ring Material

- (blank) = Nitrile*
- VO = Viton®
- EO = EPR
- MQO = Silicone

⑥ Body Port Configuration

- (blank) = #10-32 straight thread ports*
- BM = M5 x 0.8 ports with M4 x 0.7 mounting threads
- MM = Manifold mount with #10-32 threaded stud¹
- MM2 = Manifold mount with M5 x 0.8 threaded stud¹
- BO = Bottom under-seat port – max orifice = 1.59mm (1/16”)

⑦ Voltage

- __VDC = DC (specify voltage)
- __VAC = AC rectified 2-watt only (specify voltage)

⑧ Additional Options

- OC = Cleaned for oxygen use
- VAC = Vacuum application – 0 to 1000 mBar (0 to 29.5” Hg)

* Standard selection; will be used unless otherwise specified. Standard selections are not referenced in final part number.

Notes

- 1. Teflon® o-ring not suitable for manifold mount.